



Exclusively Imported In India By:



# ROSER

## ROOFING COLLECTIONS

[www.ROSER.com](http://www.ROSER.com)





# ROSER



With Quality as our masthead, ROSER stands out in the world. Mediocrity is not a term the ROSER understands. Over the past several years, the QC team of ROSER worked to acquire ISO 9001 certification, BBA approval, UL Classification, ICC-ES reports, CE mark certification, Miami Dade County approval, and many other test reports and approvals enhance our other already impressive qualifications. From your initial meetings with us to the completion of your job, ROSER is a constant companion to ensure that our customers get competent and thorough Service. Through ceaseless effort and meticulous work, ROSER developed its brilliant Technology for the benefit of our clients. We are confident that as a supporter of ROSER's Innovative technology, you will see tangible differences in your life. For your safety and comfort, ROSER roofing products protects against all kinds of weather.



ISO 9001

INNOBIZ



Roser Stone Coated Steel Roof is a world famous, unbelievably light roofing system that can enhance the look of your roof with its elegant design and great color range. Roser Stone Coated Steel Roof is designed and manufactured to withstand all kinds of severe weather such as extreme hot and cold weather, strong wind, and heavy rain. Roser Stone Coated Steel Roof can protect your home against all the destructive forces of nature because the tiles are designed to overlap and interlock into a horizontal fix system. The fastenings of this horizontal fix system are done at right angles, thus, creating a roof structure of superior strength that is strong enough to resist hurricane force wind, heavy snowfall, and earthquakes. The granulated stone chips on the surface give additional weather protection to your roof. Roser Stone Coated Steel Roof is a product that can enhance the style of any home or commercial building and give it a lasting beautiful look.

**Cross Section of a Roser stone coated steel roofing tile :**



Galvalume is registered a trademark of BIEC International, inc.



**LIGHT WEIGHT**

ROSER Stone-Coated Steel Roof is wide, which means that every tile covers a large area. It's lightweight (only about 1/6 weight of traditional clay or cement tile), therefore, you can save considerable amounts of money on extra structural support and transportation.



**RE-ROOFING**

ROSER Stone-Coated Steel Roof can bring a new look to your home if you are unsatisfied with your existing roof. It is designed to be easily installed over most existing roofs



**MANUFACTURED TO INTERNATIONAL STANDARDS**

ROSER CO.,LTD. is registered to ISO 9001 the quality management system standard, to meet rapidly changing demand of the 21st century, now accepted in more than 75 countries around the world. Complies With ICC (International Code Council) ICC-ES, ESR-1763



**EASY HANDLING**

ROSER Stone Coated Steel Roof can be cut, bent and shaped to meet the most demanding roof design from as low as a 12-degree pitch to a 90 degree angle pitch.



**EXCELLENT COLOR AND DESIGN**

ROSER Stone Coated Steel Roof has a great selection of colors to choose from which will suit each and every customer's color preference. And, its distinctive design will meet any kind of architectural structures beautifully. The colors and design blend in perfect harmony to give a natural and dazzling look to your roof.



**OUTSTANDING DURABILITY**

ROSER Stone Coated Steel Roof is designed and manufactured to withstand most severe weather such as extremely hot and cold weather, strong wind, and heavy rain. The core strength is Galvalume steel (Al-Zn Alloy) which provides long term corrosion resistance on both sides of this core an additional corrosive resistant coating is applied respectively for enhanced durability. The stone chips are imbedded onto a durable basecoat to provide enhanced protection and beauty.

Galvalume is registered a trademark of BIEC International, inc.

Standard Products

**ROSER BOND**<sup>®</sup>  
Classic Roofing System



**SPANY**<sup>®</sup>



ROSER SHAKE  
**ROWOOD**<sup>®</sup>



Premium Products

*Roman*  
CLASSIC



**STONE WOOD**  
SHAKE



**CLEO**  
Traditional inspiration on display



**PIANO** PURE BEAUTY WITH DISTRACTIVE STYLE  
ROSER SHINGLE



Functional Products

**ROWOOD 035**  
Wind Tight



**ROWOOD 016**  
Battenless tile





# Roman CLASSIC

## ROMAN CLASSIC

Roman Classic is an elegant, romantic Mediterranean style stone coated steel roofing tile.



Overall Length	1335mm (52.56")
Length of Cover	1265mm (49.80")
Width of Cover	370mm (14.57")
Roof Cover/Tile	0.468m <sup>2</sup> (5 ft <sup>2</sup> )
Coverage	2.14 tiles/m <sup>2</sup>
Weight/ROMANCLASSIC unit	3.0kg (6.61pd)



# CLEO

A glorifying roof capturing the admiration of home owners with its elegant Mediterranean style design



Overall Length	1318mm ( 51.89")
Length of Cover	1260mm (49.60")
Width of Cover	362mm (14.25")
Roof Cover/Tile	0.4561m <sup>2</sup> (4.91 ft <sup>2</sup> )
Coverage	2.19tiles/m <sup>2</sup>
Weight/CLEO unit	3.0kg (6.61pd)

# CLEO

Traditional inspiration on display

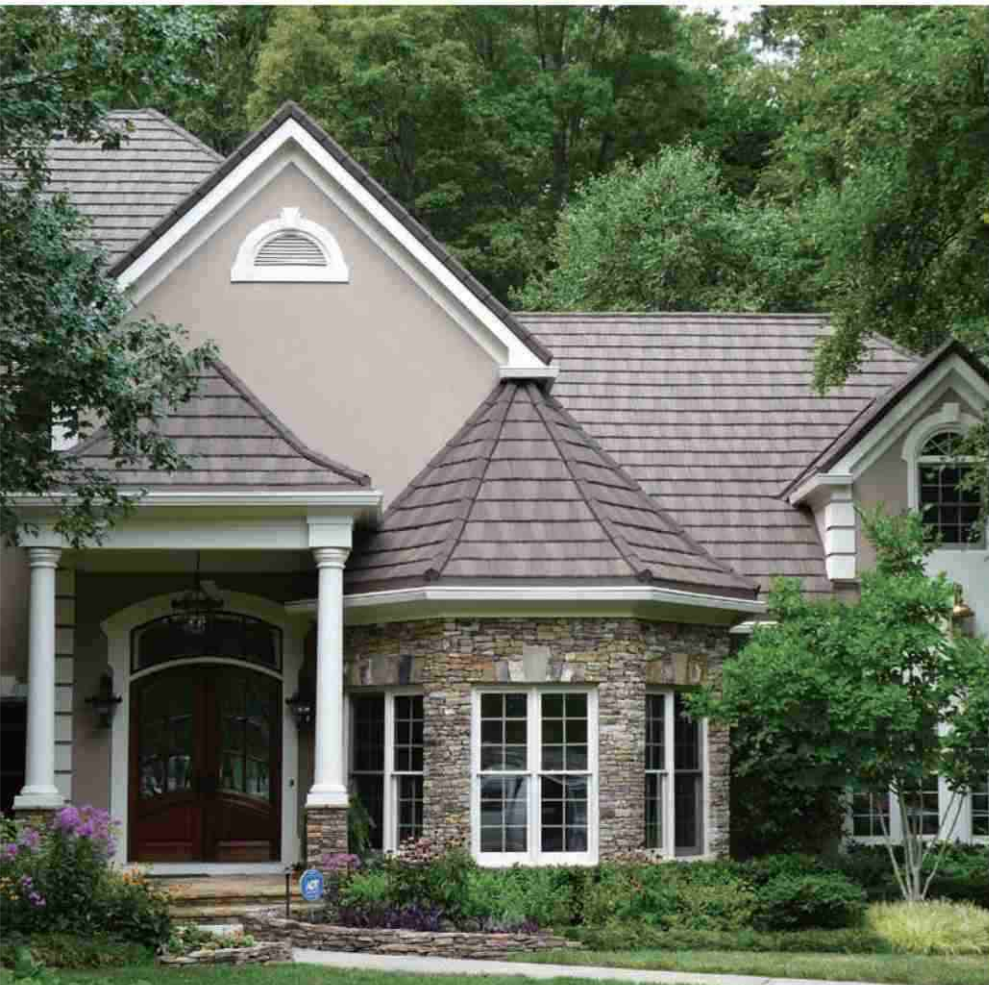




# STONE WOOD SHAKE

## STONE WOOD SHAKE

Thanks to its premium wood grain design, StoneWood Shake adds natural and elegant appearance on your house



Overall Length	1340mm ( 52.76" )
Length of Cover	1270mm (50")
Width of Cover	362mm (14.25" )
Roof Cover/Tile	0.4597m <sup>2</sup> (4.94 ft <sup>2</sup> )
Coverage	2.17 tiles/m <sup>2</sup>
Weight/STONEWOODSHAKE unit	3.0kg (6.61pd)



# PIANO SHINGLE

PIANO SHINGLE provide your house an elegant and luxury appearance with its distinctive embossed design.



Overall Length	1338mm (52.68")
Length of Cover	1280mm (50.40")
Width of Cover	360mm (14.17")
Roof Cover/Tile	0.4608m <sup>2</sup> (4.96 ft <sup>2</sup> )
Coverage	2.17 tiles/m <sup>2</sup>
Weight/PIANO SHINGLE unit	3.0kg (6.61pd)

# PIANO

PURE · BEAUTY · WITH · DISTINCTIVE · STYLE  
**ROSER SHINGLE**





# SPANY

A Roofing System that re-defines the definition of a good roof

# SPANY®



Overall Length	1335mm (52.56")
Length of Cover	1265mm (49.80")
Width of Cover	370mm (14.57")
Roof Cover/Tile	0.468m <sup>2</sup> (5 ft <sup>2</sup> )
Coverage	2.14 tiles/m <sup>2</sup>
eight/SPANY unit	3.0kg (6.61pd)





# ROSER SHAKE ROWOOD®

## ROWOOD

With its wood grain design, ROWOOD provide natural and dazzling appearance on your roof.



※ ROWOOD, ROWOOD 016, ROWOOD 035



verall Length	1340mm (52.67")
Length of Cover	1280mm (50.39")
Width of Cover	370mm (14.17")
Roof Cover/Tile	0.4736m <sup>2</sup> (5.09 ft <sup>2</sup> )
Coverage	2.11 tiles/m <sup>2</sup>
Weight/ROWOOD unit	3.0kg (6.61pd)

## ROWOOD 035 Wind Tight

### ROWOOD 035

ROWOOD 035 can be installed on the steel batten, so it is wind tight.



**Hi**<sub>35mm</sub>  
Wind Tight



## ROWOOD 016 Battenless tile

### ROWOOD 016

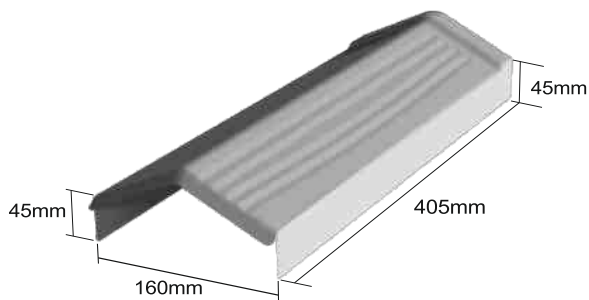
ROWOOD 016 can be installed without batten



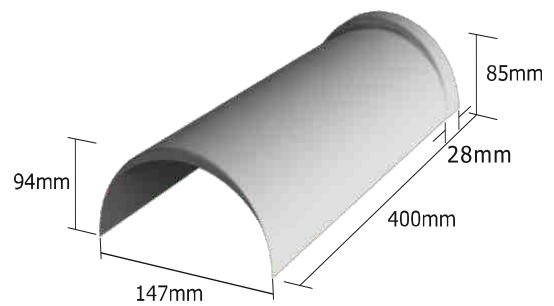


## ACCESSORIES

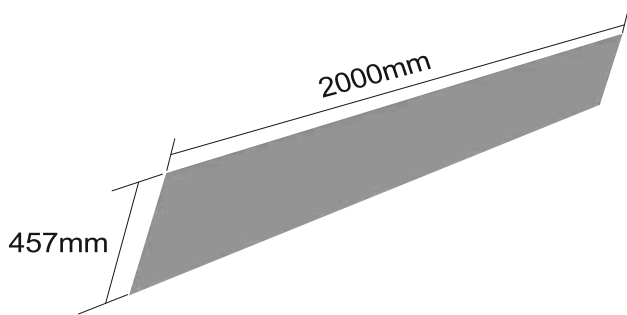
Shake Cap



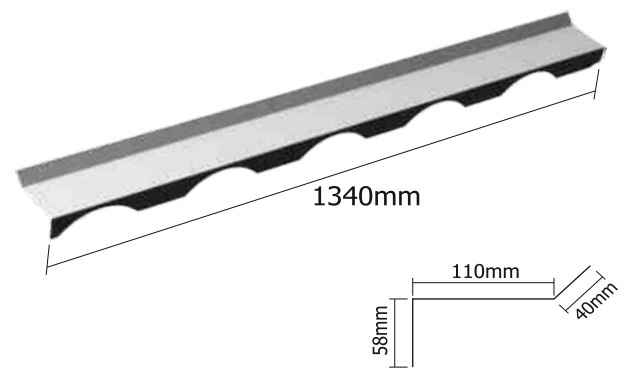
Mission Trim



Flat Sheet-2000



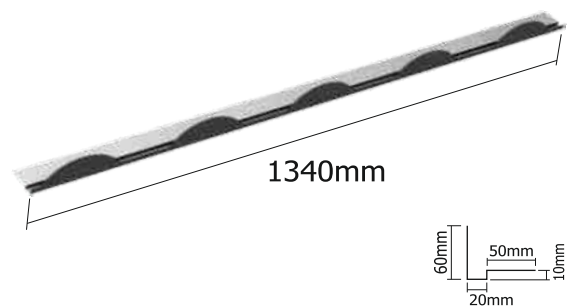
Top Course For **CLEO**



Finishing Kit



Bird-stop For **CLEO**

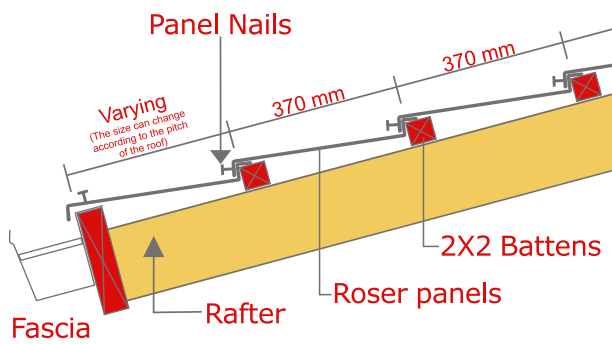




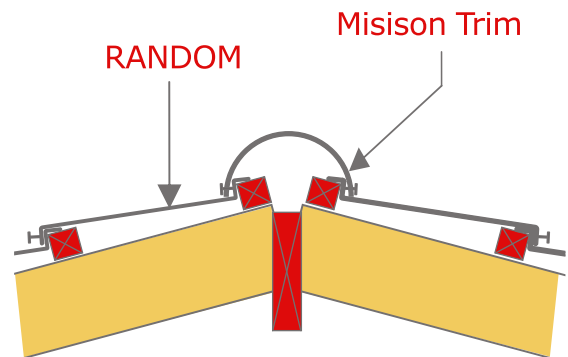
## INSTALLATION

### Installation Details:

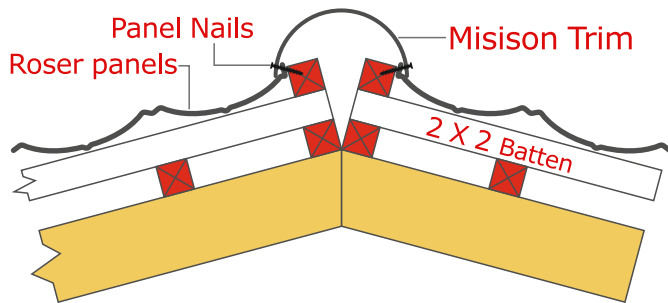
Batten Spacing Detail



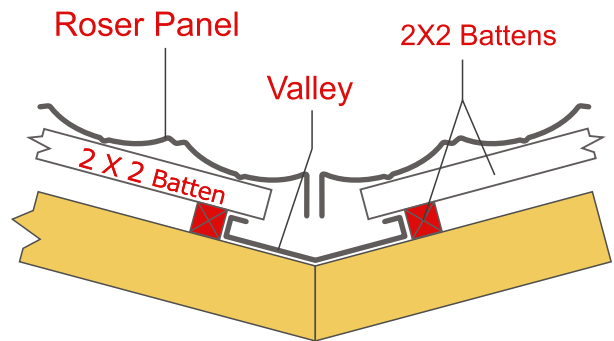
Ridge Detail



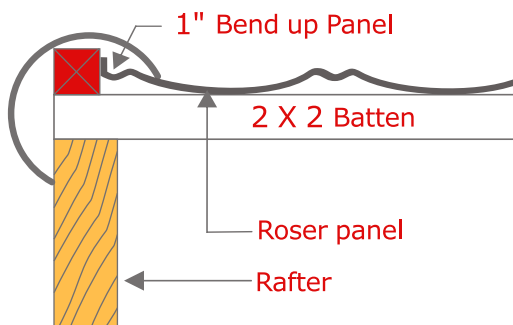
Hip Detail



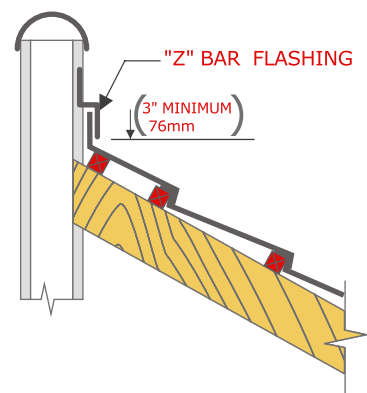
Valley Detail



Gable End Detail



End Wall Flashing Detail





# COLOR GUIDE

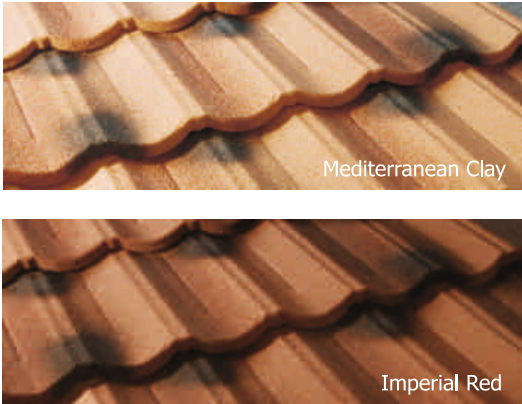
## SPANY<sup>®</sup>



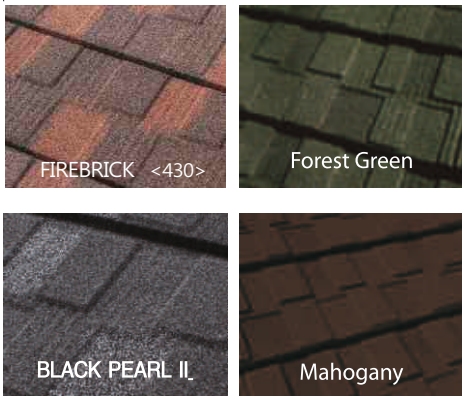
## Rowood<sup>®</sup>



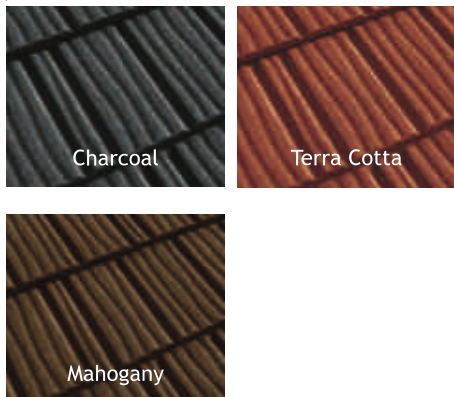
## Roman CLASSIC



## PIANO



## STONE WOOD SHAKE



## CLEO



### NEW COLORS    STANDARD COLOR    > Application : Roser Bond | Spany | Rowood | CLEO | Stone Wood Shake



Roofing Shingles • Waterproofing • Construction Chemicals

SHIBAM VENTURES AND BUILDING MATERIALS (P) LTD  
 1, Hira Mahal, Old Agra Road, Thane (West), Mumbai 400602, India  
 Tel: +91 22 25415777 | WhatsApp: +91 7738097501  
 Email: contact@shibamventures.com | Web: www.shibamventures.com

EXCLUSIVE IMPORTER AND DISTRIBUTOR FOR INDIA

Authorised Dealer

