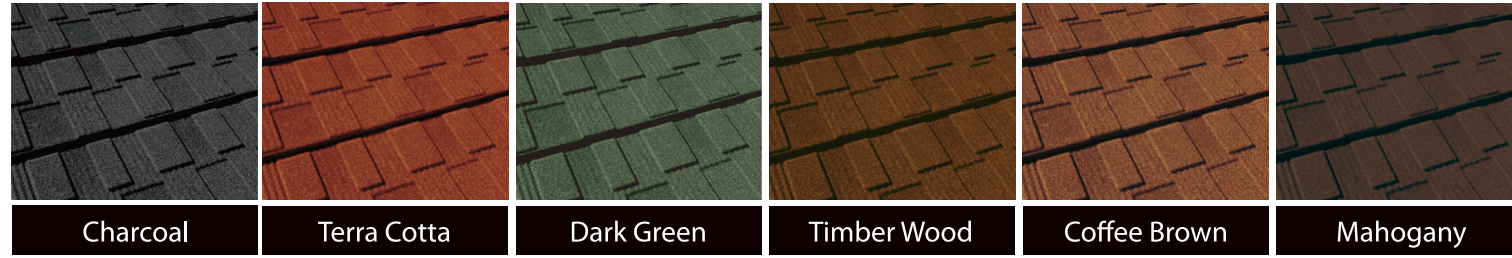


PIANO

PURE · BEAUTY · WITH · DISTINCTIVE · STYLE

ROSER SHINGLE

Standard Color

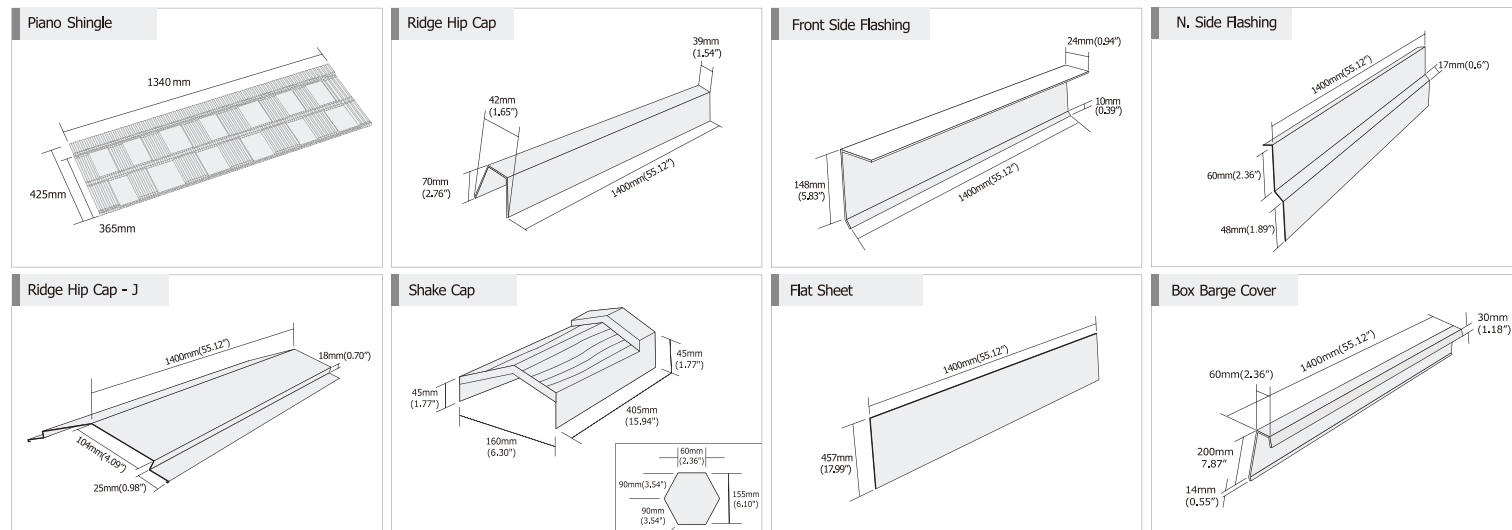


Dual Color



※ The above colors may look different from the original products. Please refer the actual sample or Roser's color chart for the actual product's color.

Stone-Coated Accessories



Roser ROSEY ROOFING SYSTEM Stone Coated Steel Roof

PIANO

PURE · BEAUTY · WITH · DISTINCTIVE · STYLE

ROSER SHINGLE



ROSER CO.,LTD.
 ROSEY ROOFING SYSTEM
 Stone Coated Steel Roof
 www.ROSER.com

VERSION:RSBCCCE-04

The above logos and names are registered trademarks of Roser Co.,Ltd. © 2009 Roser Co.,Ltd.



SEOUL MARKETING OFFICE

One Bldg.12F.,121, Teheran-ro, Gangnam-gu,
 Seoul, KOREA. T +82 2 566 7663
 Marketing@roser.com F +82 2 563 7663

HEAD OFFICE / FACTORY

43, Nae-Ri-19, Amnyang-myeon, Gyeongsan-si,
 Gyeongsangbuk-do, KOREA. T +82 53 817 5000
 Roser@roser.com F +82 53 817 5454



PIANO SHINGLE is a graceful roofing that adds a distinctive elegance and unique appeal to stylish homes with its outstanding appearance to give you the dimensional effect. PIANO SHINGLE has the heart of steel and an appearance that can blend naturally with all surrounding environment. Unlike others, PIANO SHINGLE has an unique Double Side Overlapping advantage that fits perfectly to make installation easier and less wastage of material. In addition, the overlapping part is designed same as its surface, so the whole roof would look as one unit unlike other product which you can notice the overlapping part easily. PIANO SHINGLE also comes with a wide range of rich colors to match your color preference for an ideal roof.



PIANO

PURE · BEAUTY · WITH · DISTINCTIVE · STYLE
ROSER SHINGLE



LIGHTWEIGHT

PIANO SHINGLE is wide and extremely strong yet incredibly lightweight. It is only about 1/6 weight of traditional clay or concrete tile. PIANO SHINGLE's lightness also means considerable savings on additional structural support, transportation, workmanship, and installation costs.



RE-ROOFING

PIANO SHINGLE can bring a new look to your home if you are unsatisfied with your existing roof. It is designed to be easily installed over most existing roofs.



MANUFACTURED TO INTERNATIONAL STANDARDS

ROSER CO.,LTD. is registered to ISO 9001 the quality management system standard, to meet rapidly changing demand of the 21st century, now accepted in more than 75 countries around the world.



EASY HANDLING

PIANO SHINGLE can be cut, bent, and shaped to meet the most demanding roof design from as low as a 12-degree pitch to a 90-degree angle pitch.



EXCELLENT COLOR CHOICE AND DESIGN

PIANO SHINGLE has a great selection of colors to choose from which will suit each and every customer's color preference. And, its distinctive design will meet any kind of architectural structures beautifully. The colors and design blend in perfect harmony to give a natural and dazzling look to your roof.



OUTSTANDING DURABILITY

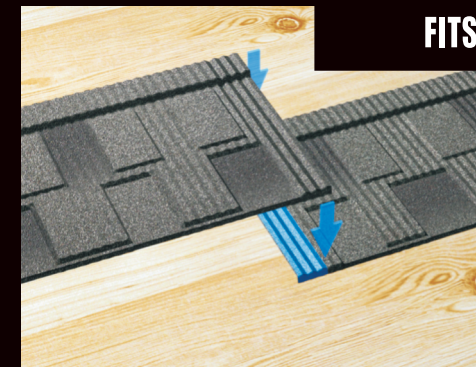
PIANO SHINGLE is designed and manufactured to withstand all kinds of most severe weather such as extremely hot and cold weather, strong wind, and heavy rain. The core strength is Galvalume[®] steel (Al-Zn Alloy). Galvalume[®] steel has great long-term corrosion resistance. On both sides of this core strength, additional coating system applied respectively for enhanced durability. The stone chips are then embedded to provide enhanced strength and beauty.

*Galvalume[®] is registered a trademark of BIEC International, inc.

ROSER
ROSER ROOFING SYSTEM
Stone Coated Steel Roof



**DOUBLE SIDE OVERLAPPING
FITS PERFECTLY**



Overall Length	1340mm (52.75")
Length of Cover	1280mm (50.40")
Width of Cover	365mm (14.37")
Roof Cover/Tile	0.467m ² (5.02ft ²)
Coverage	2.14 tile/m ²
Weight/PIANO SHINGLE unit	3.0kg (6.61pd)



WITH BATTEN



WITHOUT BATTEN

※ PIANO ROSER SHINGLE can be installed both with and without batten (1" x 4" or 2" x 2")

Stone Coated Steel Roof
ROSER ROOFING SYSTEM